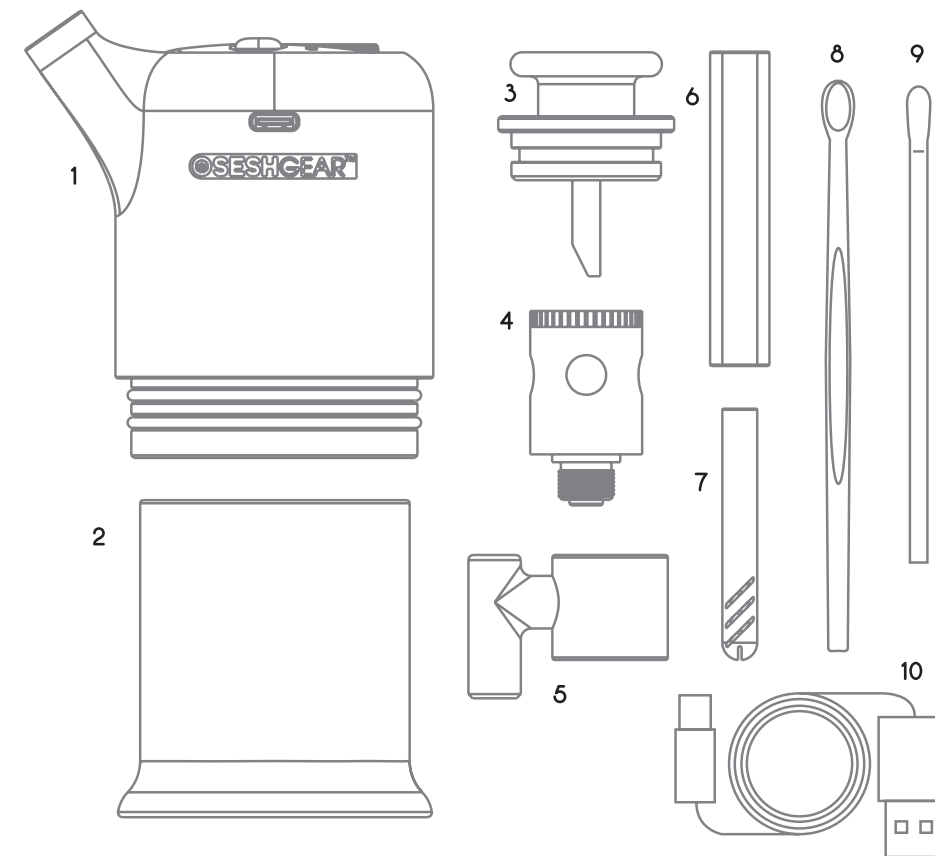




Forget the torch.

Powerful and portable, the SeshGear™ Dabtron™ is the perfect electronic dab rig. Enjoy concentrates with ease using the coil-less quartz cup atomizer and borosilicate glass mouthpiece. Level up your next session with the Dabtron.

Please read the instructions in full prior to use.
Failure to do so may void the warranty.



KIT CONTENTS

- | | |
|------------------------|---------------------|
| 1 SeshGear™ Dabtron™ | 6 Glass Mouthpiece |
| 2 Glass Base Jar | 7 Glass Downstem |
| 3 Carb Cap | 8 Dab tool |
| 4 Coil-less Quartz Cup | 9 Cotton Swabs (x4) |
| 5 Airflow Collar | 10 USB Cable |

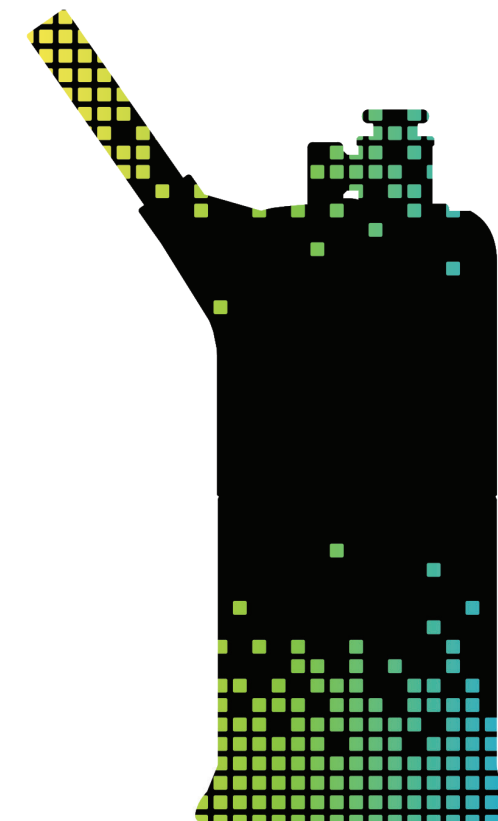
SESHGEAR™



SeshGear.com

SG-0214-20

SESHGEAR™
DABTRON™



SAFETY WARNINGS

Do not expose the SeshGear™ Dabtron™ to extreme temperatures or direct sunlight. Do not drop the main unit or accessories. Do not drop or submerge in any liquid. Do not modify the electronics in any way. Only charge using the included charger. This device is intended for adults only. Do not sell or provide to minors. Keep all parts, concentrates, and liquids away from children and pets. This is not a medical device and is not intended to diagnose, treat, mitigate, cure, or prevent any ailment, disease, or other conditions. Consult a physician before use, especially if you suffer from heart disease or any other medical conditions, or if you are pregnant or breastfeeding. Failure to follow any of these instructions could result in product damage, property damage, or personal injury.

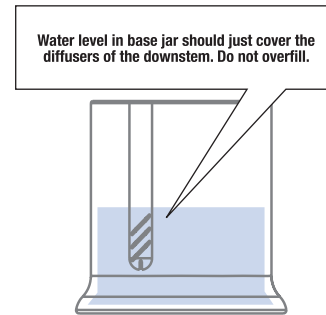
- ⚠ Do not blow into the Dabtron. This could force water into the unit and cause damage.
- ⚠ Do not tilt, drop, or lay the unit on its side as this can allow water into the unit.
- ⚠ Do not allow water in the quartz cup or the coil housing.
- ⚠ Do not store the Dabtron with water in the base.
- ⚠ Do not submerge in any liquid.
- ⚠ Do not use excessive force when attaching or detaching the glass parts.
- ⚠ Allow the unit to cool down for 1–2 minutes between sessions.
- ⚠ Keep away from extreme heat and cold.
- ⚠ Do not sell or provide to minors. Keep away from children and pets.

SPECIFICATIONS

- 2000mAh Battery
- 4 Voltage Settings: **Blue 2.5v**, **Green 2.8v**, **Yellow 3.2v**, **Red 3.5v**
- Borosilicate glass mouthpiece, downstem, and base
- 20 second preheat

READY PLAYER ONE

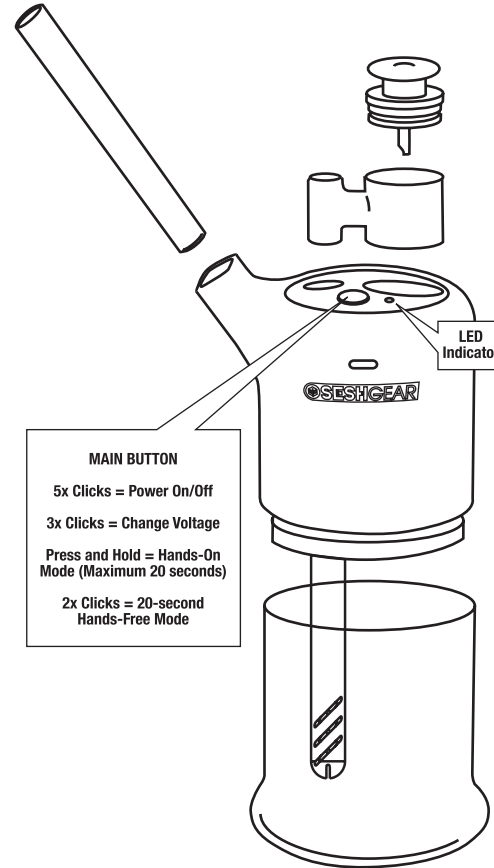
- Charge the unit, with the included charging cable, to 100% before using (approximately 2 hours). The LED light will be red while charging and turn green once fully charged.
- Fill the glass base with water so that it just covers the diffusers of the downstem. Do not overfill.



- Attach the glass downstem to the *underside* of the Dabtron body by pressing the open end into silicone fitting. Do not force, it should go in with gentle pressure.
- Attach the glass mouthpiece to the *top side* of the Dabtron body by pressing into silicone fitting. Do not force, it should go in with gentle pressure.
- Attach the glass base to the Dabtron unit by gently pushing it on. Do not force it.
- Screw the Coil-less Quartz Cup into the 510 threading of the Dabtron.
- 5x Clicks will power ON/OFF.
- 3x Clicks will change the voltage setting: **Blue 2.5v**, **Green 2.8v**, **Yellow 3.2v**, **Red 3.5v**

POWER UP

- With the Dabtron powered on and voltage selected, place your concentrate on the bottom of the quartz cup.
- We recommend preheating the concentrate for 5–10 seconds or until completely melted. Press and hold the button to preheat until the desired level is reached.
- Once the concentrate has been preheated place the carb cap on the airflow collar.
- **Hands-On Mode:** With everything in place you can simply hold the button or pulse it to achieve the exact experience you are looking for. You can hold down the button for up to 20 seconds.
- **Hands-Free Mode:** For a simpler operation just press the button 2 times to start the session mode. The Dabtron will heat for 20 seconds before shutting off.



CHEATS

- The Hands-Free Mode makes it very easy to work the carb cap and get the exact airflow desired.
- Do not overfill the quartz cup. This can cause spillage and will actually decrease the amount of vapor production.
- By using a combination of Hands-On and Hands-Free you can truly optimize every session.

CLEANING

- Turn on the Dabtron and hold the button down for 5–7 seconds or until the quartz cup is warm. Using a cotton-tipped swab remove all excess wax from the quartz cup. Dip another swab in 91% isopropyl alcohol and wipe the quartz cup again. It is recommended that you do this every few sessions to keep the quartz cup functioning at its best.
- Remove all glass parts. This should not require excessive force to do so. If the silicone fitting comes off with the mouthpiece that is fine. Simply reinsert it after cleaning the Dabtron.
- Place the mouthpiece and down stem in the base jar and use 91% isopropyl alcohol to soak the glass.
- While the glass is soaking, use the brush, cotton-tipped swab, and 91% isopropyl alcohol to remove any build-up in the airflow paths and collar.
- If there is any build-up around the 510 threaded coil connection or carb cap use a cotton-tipped swab and 91% isopropyl alcohol to remove the build-up.
- Now that all the glass parts have been soaked, use the cotton-tipped swab to remove any lingering build-up.
- After cleaning, allow all parts to air dry completely before re-assembly and use.

TROUBLESHOOTING

- If the LED flashes **WHITE** 3 times that means there is a short circuit or the coil resistance is too low. Change the coil.
- If the LED flashes **WHITE** 5 times the coil does not have a connection. Make sure the coil is properly tightened and no residue or build-up is within the 510 threaded connection.
- If the battery drops below 3.2v the LED will flash **RED** 5 times and the unit will stop functioning. If you press the button again it will flash **RED** 5 times and not function. Charge the Dabtron completely.

LIMITED WARRANTY

SeshGear Dabtron is guaranteed from manufacturer defects or malfunction from the original date of purchase for a period of 1 year. This limited warranty protects against manufacturer defects under normal use and does not apply to normal wear and tear, improper use, and accidental damage from dropping or submerging in liquid, improper cleaning, neglect, or any other damage that is not a result of defective materials or workmanship. If your SeshGear Dabtron qualifies for servicing, we will repair or replace, at our discretion and expense, any defective parts or materials. Purchaser must provide a copy of the original dated sales receipt and may be required to provide shipping to return defective parts or materials. We intend to complete all repairs/replacements within 7 business days, although this timeframe may vary depending on shipping, replacement part availability, or other related factors. The lawful and proper use of this device is a condition of sale. Any improper use of the SeshGear Dabtron will void the warranty. Warranty is nontransferable. This warranty gives you specific legal rights, and you may also have other rights, which vary from state to state.

For warranty servicing, contact us at [SeshGear.com](https://www.seshgear.com).